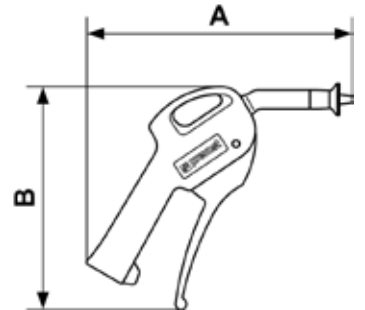


27202 BLOW GUN

Protective Screen Nozzle



Blowing force

8 OZF

Dynamic pressure

36.3 psi

Max. operating pressure

145 psi

Part number	Flow rate at 87 psi (CFM)	Sound level (dBA)	Female thread	Net weight (Kg)	Dim. A (inch)	Dim. B (inch)
27202 ECR	16	82	NPT1/4	0,01522	6.61	5.55